

Interactive 3D Projection Map

Fact Sheet



formula **D_**


D_



Give Your Visitors the Perfect Overview

Orientation maps are a must for every museum, tourist visitor centre or heritage site. An alternative for the often-confusing graphical orientation panels, we provide a cost effective, interactive visitor orientation map with a physical 3D scale model of the respective site at its centre.

Augmented with an interactive top-down projection, the display offers visitors a personalised view onto the site providing the information they look for. This is made possible with several touch screens connected to the interactive model, providing visitors information about their points of interest.

 [click here to watch video](#)

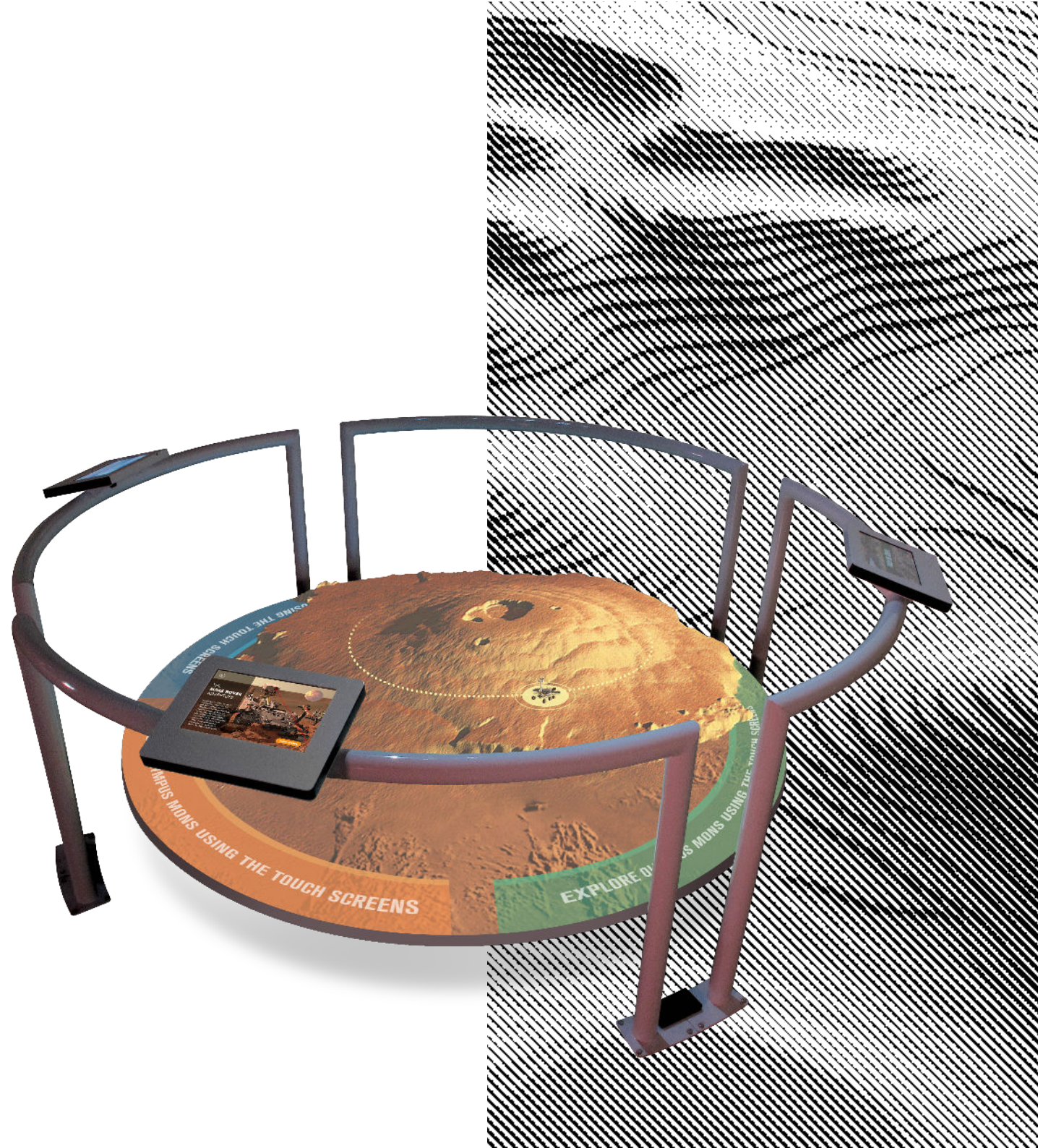
D_

When selecting a point of interest, visitors will be presented with relevant information, such as video, text and images on the touch screen and projected onto the 3D model.

Interactive information on the 3D model may include location markers, recommended routes, or special effects such as cutaways to reveal hidden archaeological or geological sites.

The central projection image can also be animated to demonstrate historic changes, specific events, weather or other features of the site.

Linked to your Building Management System (BIM) the map may even tip off visitors about high traffic areas and congestion in certain galleries.



D_



“They have the knack of taking **highly complex** concepts and issues and translating them into **simple, accessible and fun** games and exhibits.”

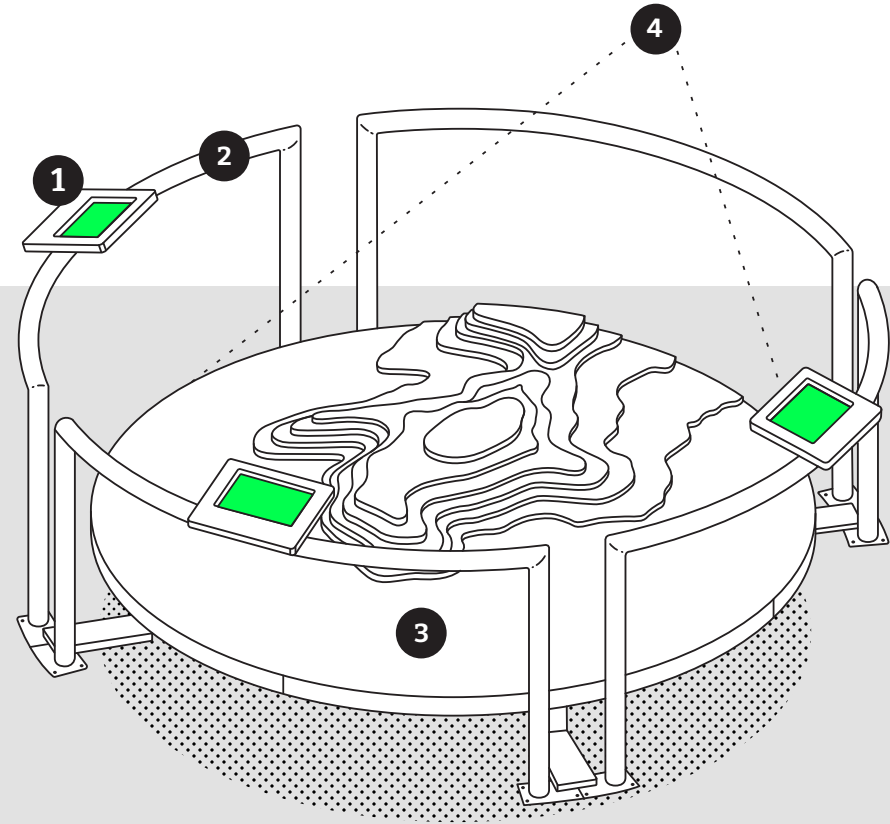
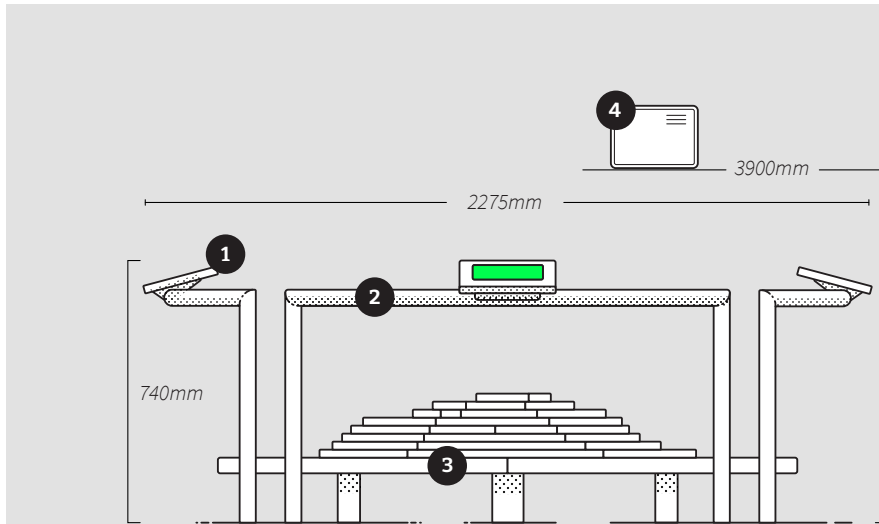
Helen Lockhart
Communications and Sustainability Manager
Two Oceans Aquarium



D_

The 3D Projection Map

Our experienced design team will work with you to create model and content specific to your museum, science centre or visitor centre. The Interactive Visitor Orientation Map is suitable for up to 10 visitors simultaneously. Custom solutions for larger numbers are possible. The 3D landscape with mapped interactive projection is controlled via multiple tablet devices and constructed from high quality timber board products and steel. The system, which includes a full high definition projector, is controlled by a central PC.



01_ Tablet PC in Housing

02_ Railing - Epoxy Coated Galvanised Steel

03_ Projection Platform - Fabricated, Painted MDF

04_ Housing for CPU, Projector, WiFi router

3D Projection Map Details

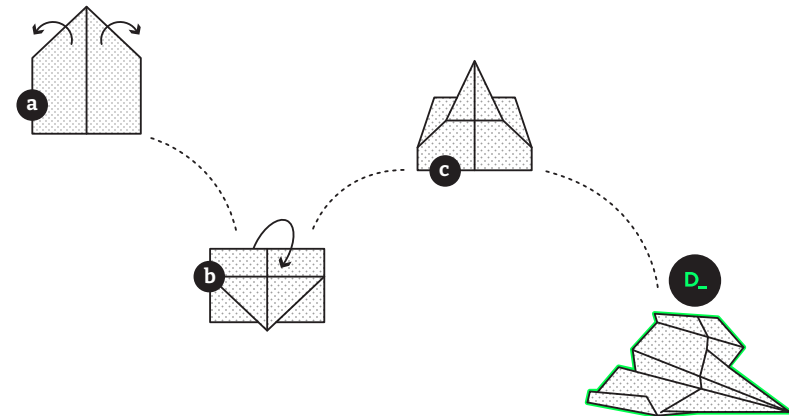
Experience Details

+ Inclusive Design	Wheel chair friendly
+ Learning Outcomes	Defined by custom application made to your requirements
+ Target and Age Group	10 years and older
+ Reading Level	10 years and older
+ Duration / Interaction	About 3 minutes per visitor
+ Application	Museums, Heritage Sites, Visitor Centres, Tourism Centres

Customisability

The size and shape of the 3D projected space, as well as the applications, content and animations, can be customised to suit the specific needs of your centre.

Our team will be able to work with you to create the best solution for your requirements.



Standard Specifications

Physical Unit Contact us for more information on shipping weight and dimensions.

+ Exhibit Weight	160kg
+ Shipping Weight	225kg (shipped in parts)
+ Dimensions <small>Assembled (mm)</small>	2275 x 2275 (floor) x 760mm(h) 4400mm Ceiling installation necessary
+ Shipping Dimensions	N/A Shipped in parts
+ Materials	Painted MDF, Epoxy Coated Galvanized Steel
+ Environment	Dry indoor space

Technology

+ Components	Full HD Projector, 3x Tablet PC's, WiFi Router, Auto Key Switch System, 2.1 Speaker System
+ Integrated PC System	Intel Core i5, 256GB SSD, 8GB DDR4 RAM GTX 730 Nvidia Graphics, Microsoft Windows 10 Pro 64 GB
+ Connectivity	WiFi 240 V AC 60Hz,
+ Connectivity	LAN 120V AC 50Hz

formula **D_**



Contact

Unit 407, Woodstock Exchange,
66 Albert Road, Woodstock,
Cape Town, 7975

Phone: +27 (0) 21 461 7381

E-mail: info@formula-d.com

www.formula-d.com

